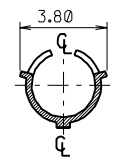
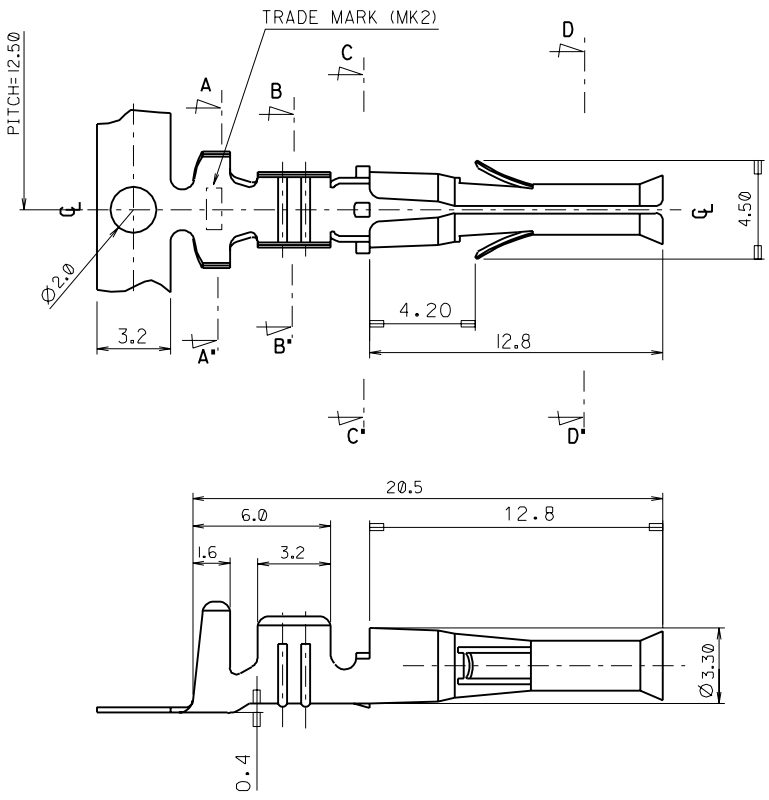


DO NOT SCALE DRAWING DIMENSION IN METRIC

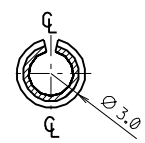
PROJECT NO.

SIMILAR ITEM

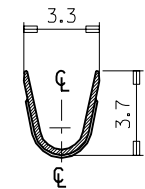
DWG. NO. SD-35728-001



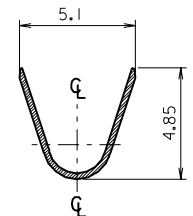
SECTION:C-C*



SECTION:D-D*



SECTION:B-B*



SECTION:A-A*

NOTES

1. MATERIAL: BRASS THICKNESS:0.25
2. FINISH: PRE-TIN PLATING
6. APPLICABLE HOUSING:Ø2.0 PLUG HOUSING (35143-**-01, 35144-0401) • MEANS CIRCUIT NO.
7. MATING TERMINAL:Ø2.0 PIN TERMINAL (35727-0201)
8. APPLICABLE WIRE RANGE: AWG #20-#14, INSUL.DIA 1.9-3.4mm

MATERIAL NO.	ENG. NO.
357280201	35728-0201

REVISED EC NO. KOR 1999-0120 DRWN: W.Y.YANG 99.12.31 CHK: CHK: APPR:	QUALITY SYMBOLS	MAJOR = 3
	DESCRIPTION	CRITICAL = 0
REV		

GENERAL TOLERANCES: (UNLESS SPECIFIED)	
	mm INCH
4 PLACES	±0.25 ±
3 PLACES	±0.25 ±
2 PLACES	±0.25 ±
1 PLACE	±0.25 ±
ANGULAR: ± 3°	
DRAFT WHERE APPLICABLE MUST REMAIN WITHIN DIMENSIONS	

SCALE 5:1	DESIGN UNITS <input checked="" type="checkbox"/> mm <input type="checkbox"/> INCH
DRAWN BY & DATE W.Y.YANG 92/03/04	
CHECKED BY & DATE B.K.CHOI 92/03/04	
APPROVED BY & DATE C.W.LEE 92/03/04	
CAD FILENAME E7280201.DGN	

DIMENSIONS:		SHT	REV
<input type="checkbox"/> mm <input type="checkbox"/> INCH	<input checked="" type="checkbox"/> mm ONLY		REVISE ON CAD ONLY
THIRD ANGLE PROJECTION		TITLE: 2.0 DIA SOCKET TERMINAL	
MATERIAL NO. SEE CHART		MOLEX INCORPORATED KOREA	
DRAWING NO. SD-35728-001	SHEET NO. 10F1	SIZE B	
THIS DRAWING CONTAINS INFORMATION THAT IS PROPRIETARY TO MOLEX INCORPORATED AND SHOULD NOT BE USED WITHOUT WRITTEN PERMISSION.			